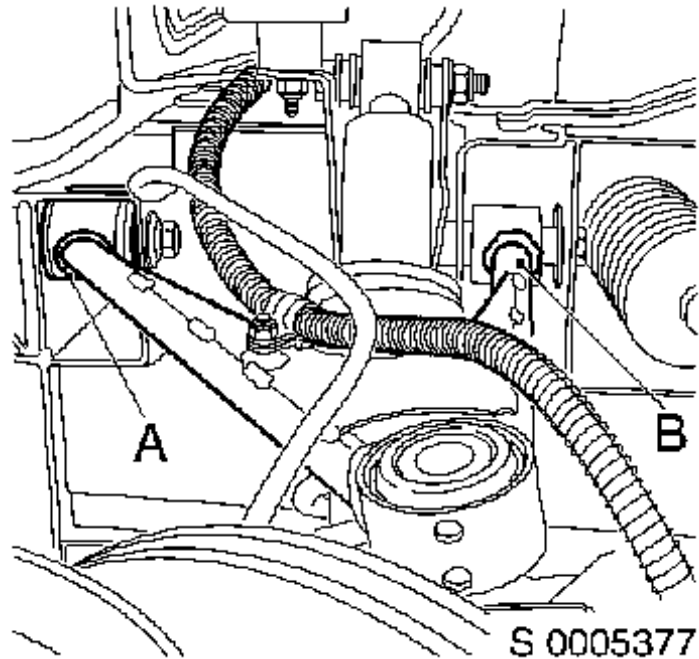


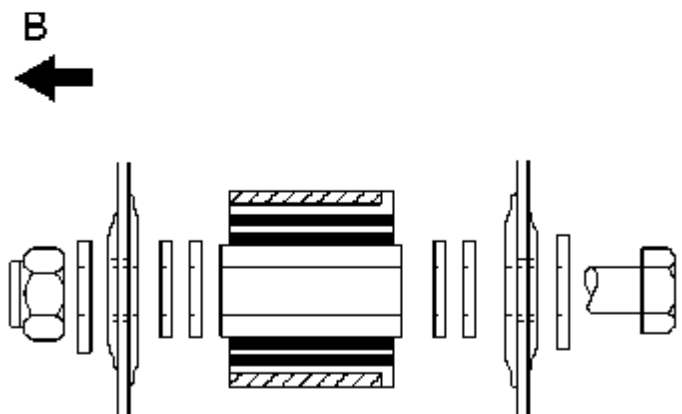
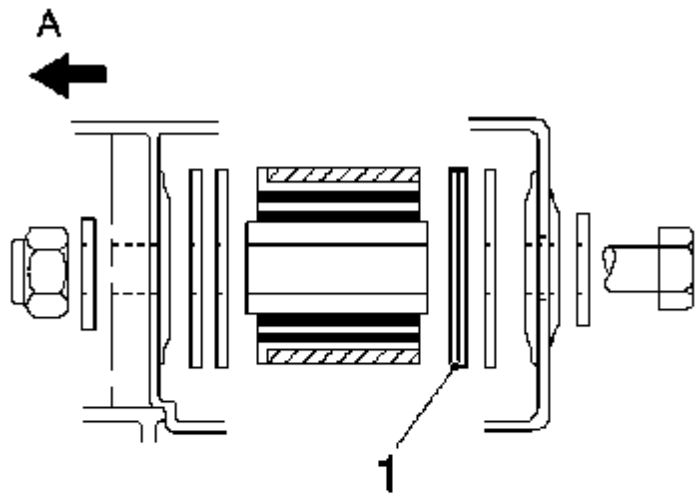
Caster, Adjust

Caster angle is controlled by shims positioned at pivots A and B. The shims allow the upper wishbone to be moved forwards or rearwards to change the caster angle. The total shim pack thickness of **4 x 1.5 mm** at each pivot must not be changed. Distribution of shims at A and B must be the same. The position of the nitrile-faced washer (1) must not be changed.



A Front leg of upper wishbone.

B Rear leg of upper wishbone.



S 0005378

**Measure**

Caster with steering set in straight ahead position and using optical alignment measuring equipment. For dimensions refer to "Technical Data"

**Adjust**

Caster angle - transfer of **1.5 mm** shim from front to rear reduces caster by approximately **0.4°**; transfer of **1.5 mm** shim from rear to front increases caster by approximately **0.4°**.

Torque

Pivot bolts - **45 Nm.**